

211: Drafting Table LH Instructions

Hardware List:

Qty.	Item
1	Power Strip with four screws
2	Grommets
1	1 1/4" Screw
	Keys

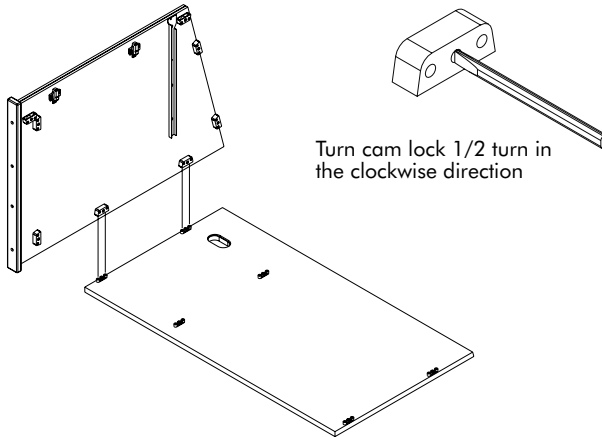


Thank you for purchasing your DEPCO Technology Lab Furniture! If you need further assistance, please call 1-800-767-1062.

Step 1:

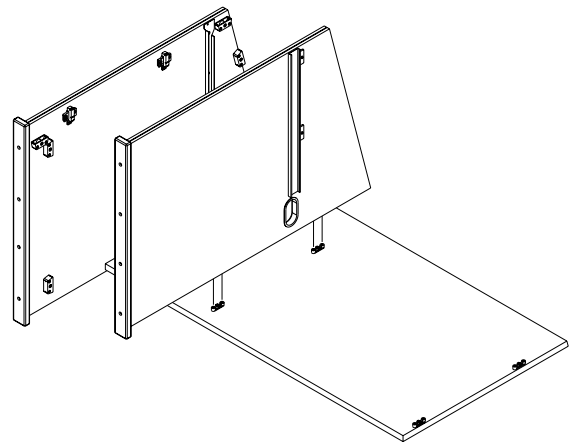
Remove all parts from the box. Lay the Back Panel on the floor. **Note:** You may want to lay some scrap pieces of wood under the Back panel to keep from scratching it on the floor.

Attach the Left Leg to the Back Panel using the assembly fittings.



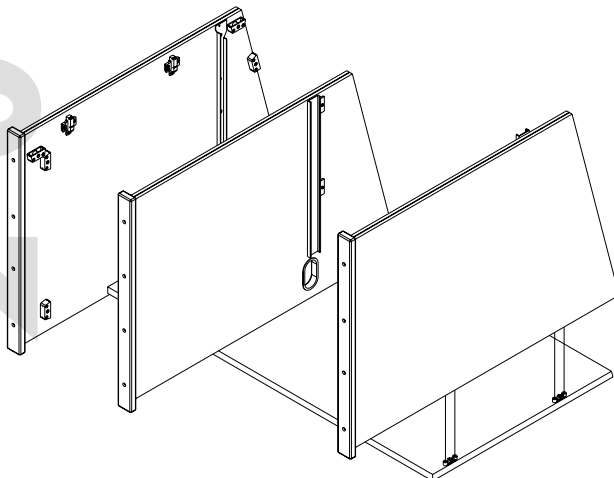
Step 2:

Attach the Middle Leg to the Back Panel using the assembly Fittings



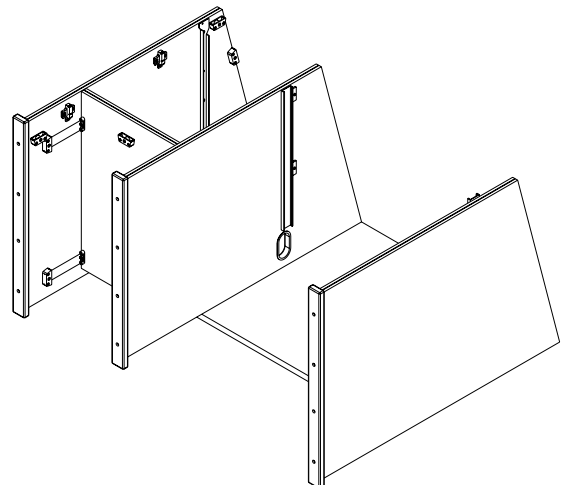
Step 3:

Attach the Right Leg to the Back Panel using the assembly fittings



Step 4:

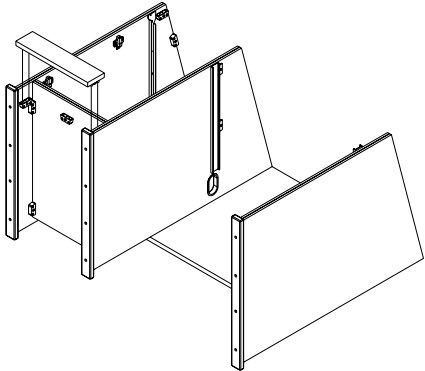
Attach Bottom Shelf to the Middle and Left Legs using the assembly fittings



211: Drafting Table LH Instructions

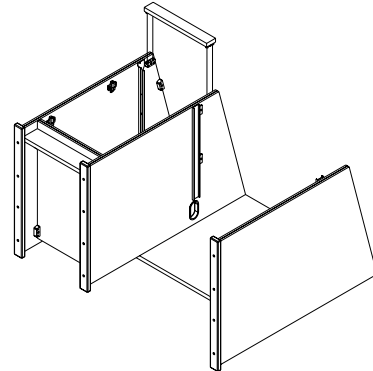
Step 5:

Attach the Toe Kick to the Middle Leg, Left Leg and the Bottom Shelf using the assembly fittings.



Step 6:

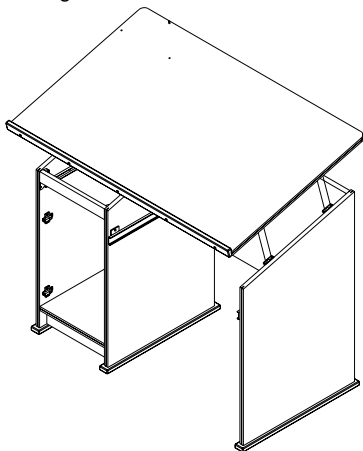
Attach the Stile to the Middle and Left Legs using the assembly fittings.



Step 7:

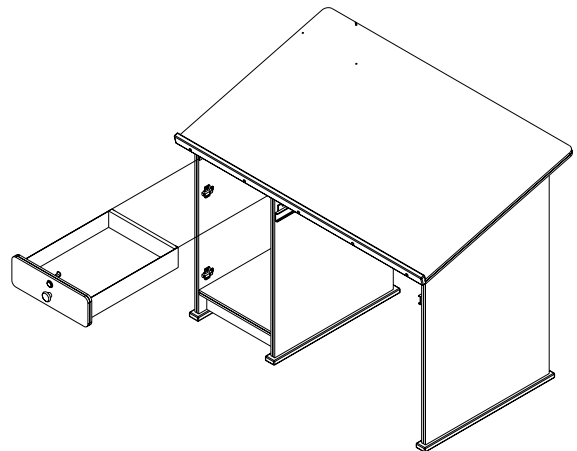
Stand the Drafting Table in the upright position.

Place the Top on the assembly and attach using the assembly fittings



Step 8:

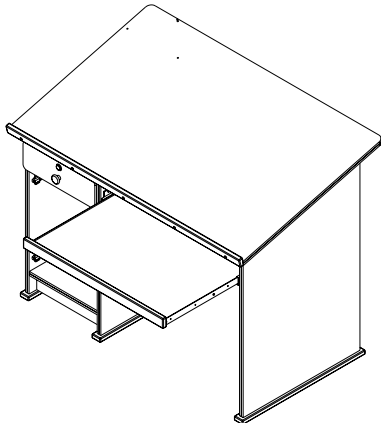
Insert the Drawer into the Drafting Table



Step 9:

Insert the Keyboard tray into the Drafting Table.

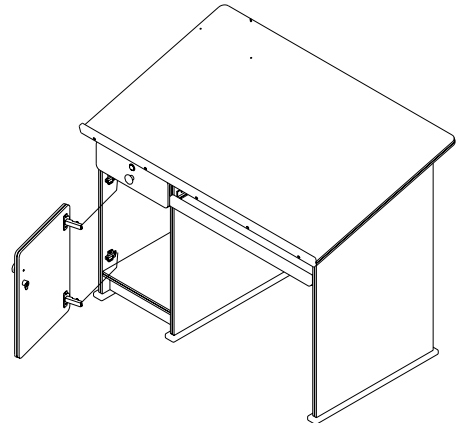
Note: It may be hard to push the tray in for the first time this is because it needs to set the slide into the bearings.



Step 10:

Attach the door to the Left Side.

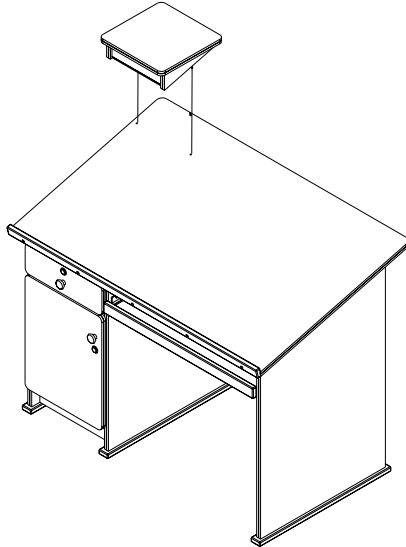
Place the front of the hinge over the hinge plate first then push on the back of the hinge until it snaps into place.



211: Drafting Table LH Instructions

Step 11:

Place the 3/16" pins in the Monitor Platform into the holes in the upper left corner of the Top. Insert a 1 1/4" screw from the bottom through the hole in the top into the Monitor Platform to hold it securely in place. **Do Not Over Tighten.**



Step 12:

Insert Grommets into the holes in the Middle Leg and the Back Panel

Attach the Remote Power Strip to the left side of the Middle Leg using the 4 screws supplied in the Hardware Pack.

200 Series

